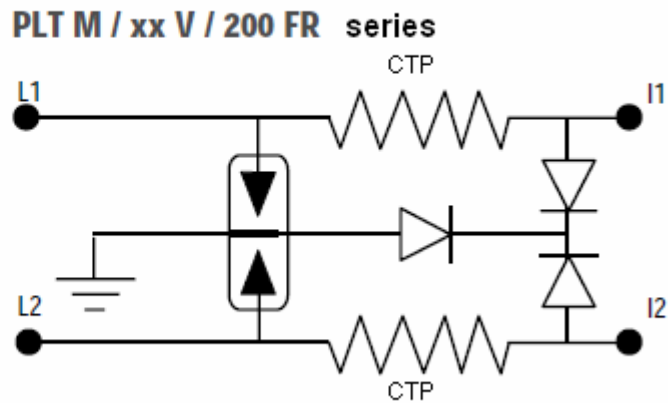
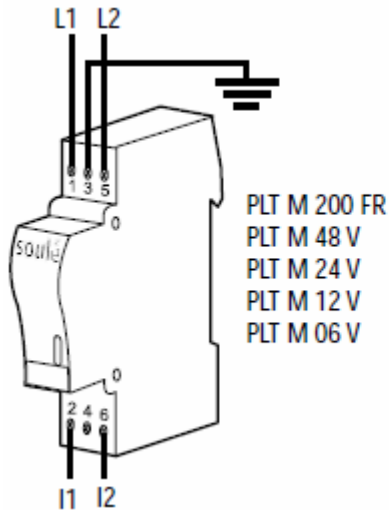


PLT M

Surge arresters for transmission lines (PLT M) are designed for protection against overvoltages of equipment connected to a telephone line (analog or digital), computer link, or current loop.



Model	Un	Uc	Up	In	Imax	Ic	Fc
PLT M 06	6V	7V	15V	5kA	10kA	140mA	10MHz
PLT M 12	12V	14V	20V				2MHz
PLT M 24	24V	27V	35V				4MHz
PLT M 48	48V	53V	70V				6MHz
PLT M 200 FR	200V	220V	300V				12MHz

Other Features

Degree of protection	IP 20
Storage Temperature	-40 °C up to +70 °C
Operating Temperature	-40 °C up to +70 °C
Maximum altitude	3000m
Material housing	Blue Pantone 315 PC
Weight	150g

